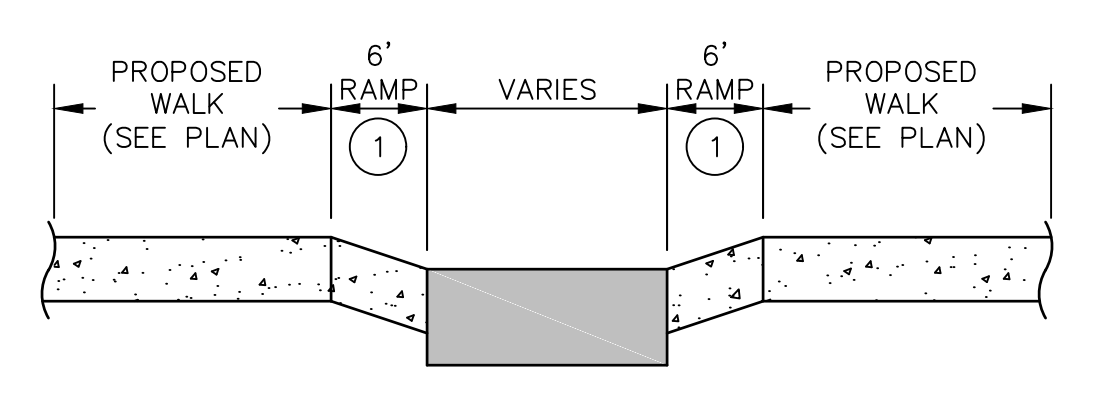
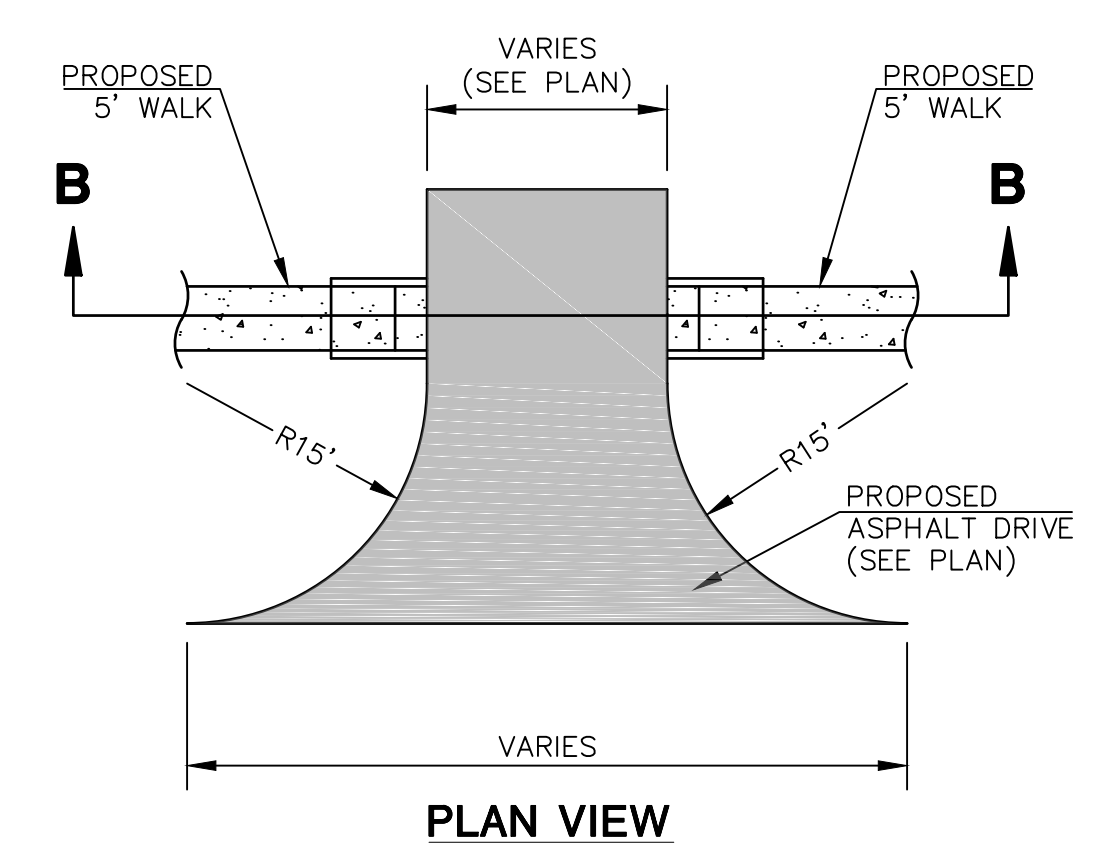
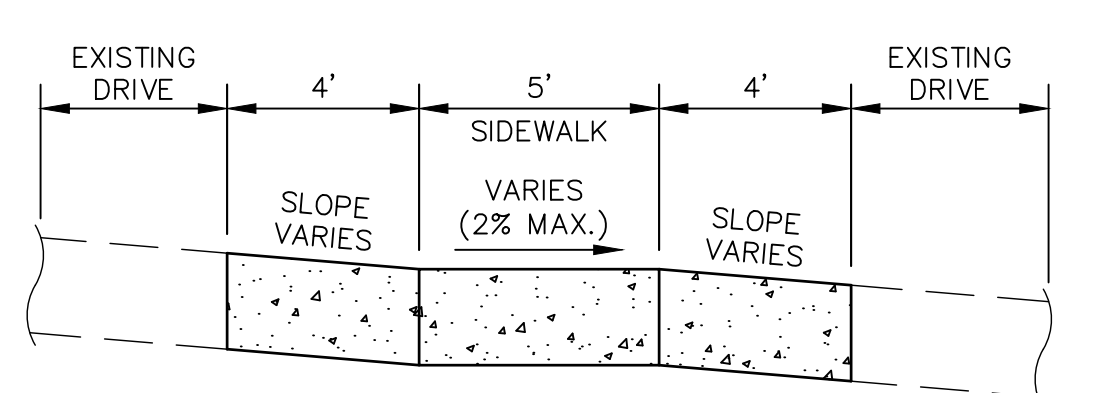
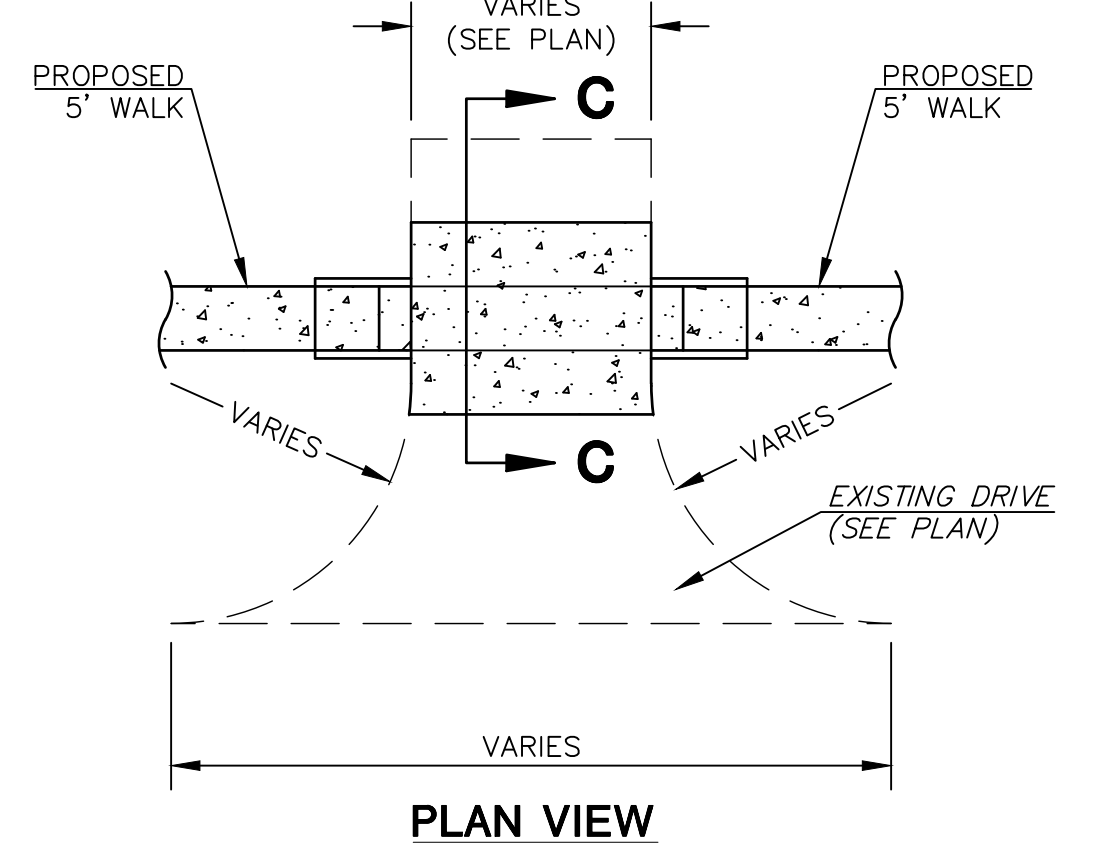


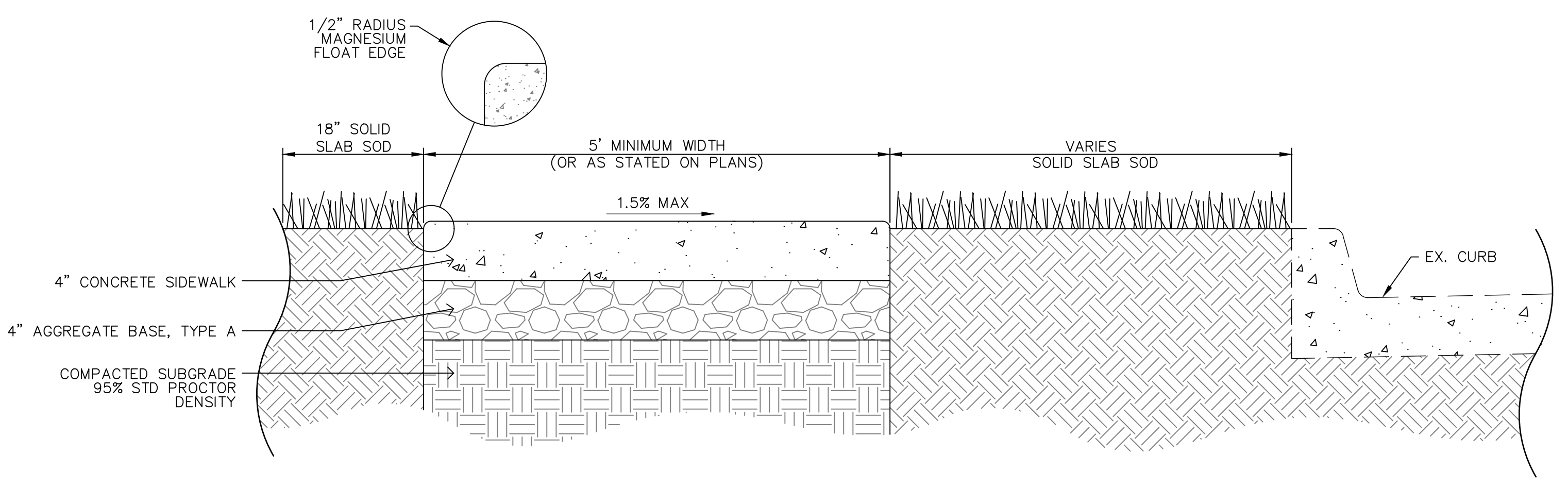
SECTION A-A
 NOTE: PLACE DETECTIBLE WARNINGS ON LANDING AT BOTTOM IF RAMP IS LESS THAN 5" DEEP.
1 SIDEWALK AT CONCRETE DRIVE SECTION Scale: NTS



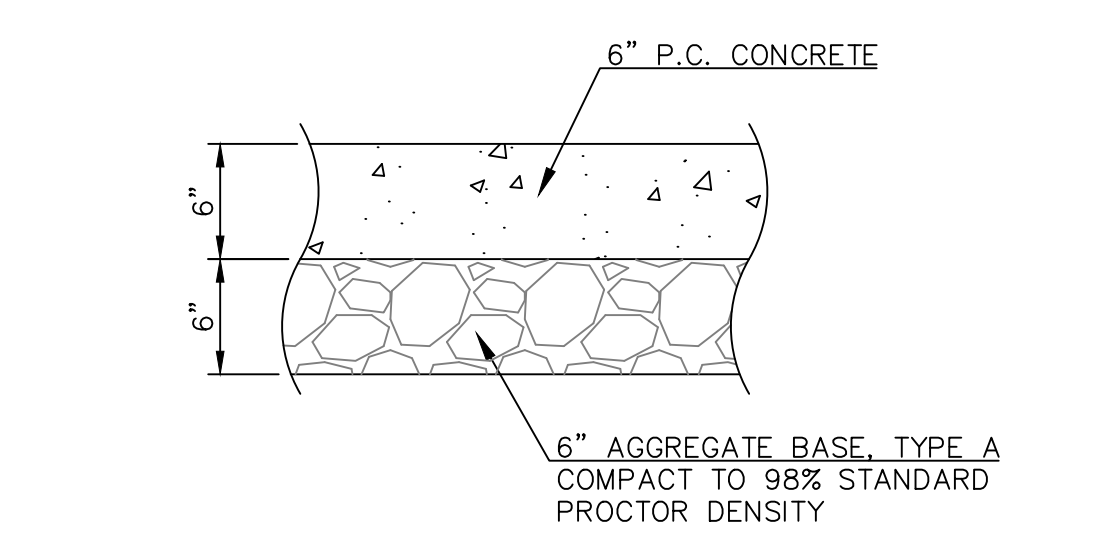
SECTION B-B
 NOTE: PLACE DETECTIBLE WARNINGS ON LANDING AT BOTTOM IF RAMP IS LESS THAN 5" DEEP.
2 SIDEWALK AT ASPHALT DRIVE SECTION Scale: NTS



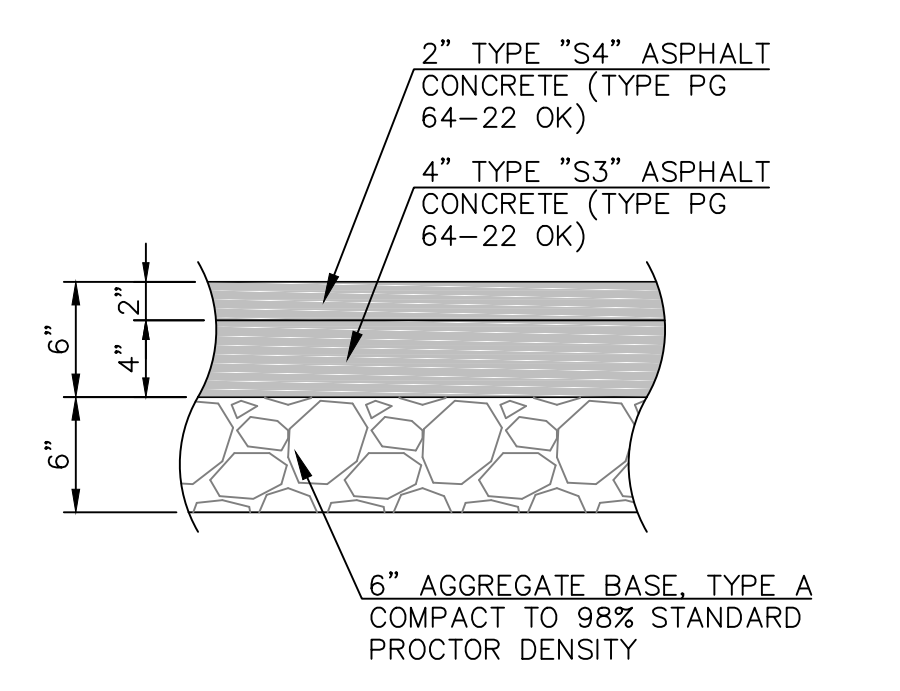
SECTION C-C
3 SIDEWALK AT EXISTING DRIVE SECTION Scale: NTS



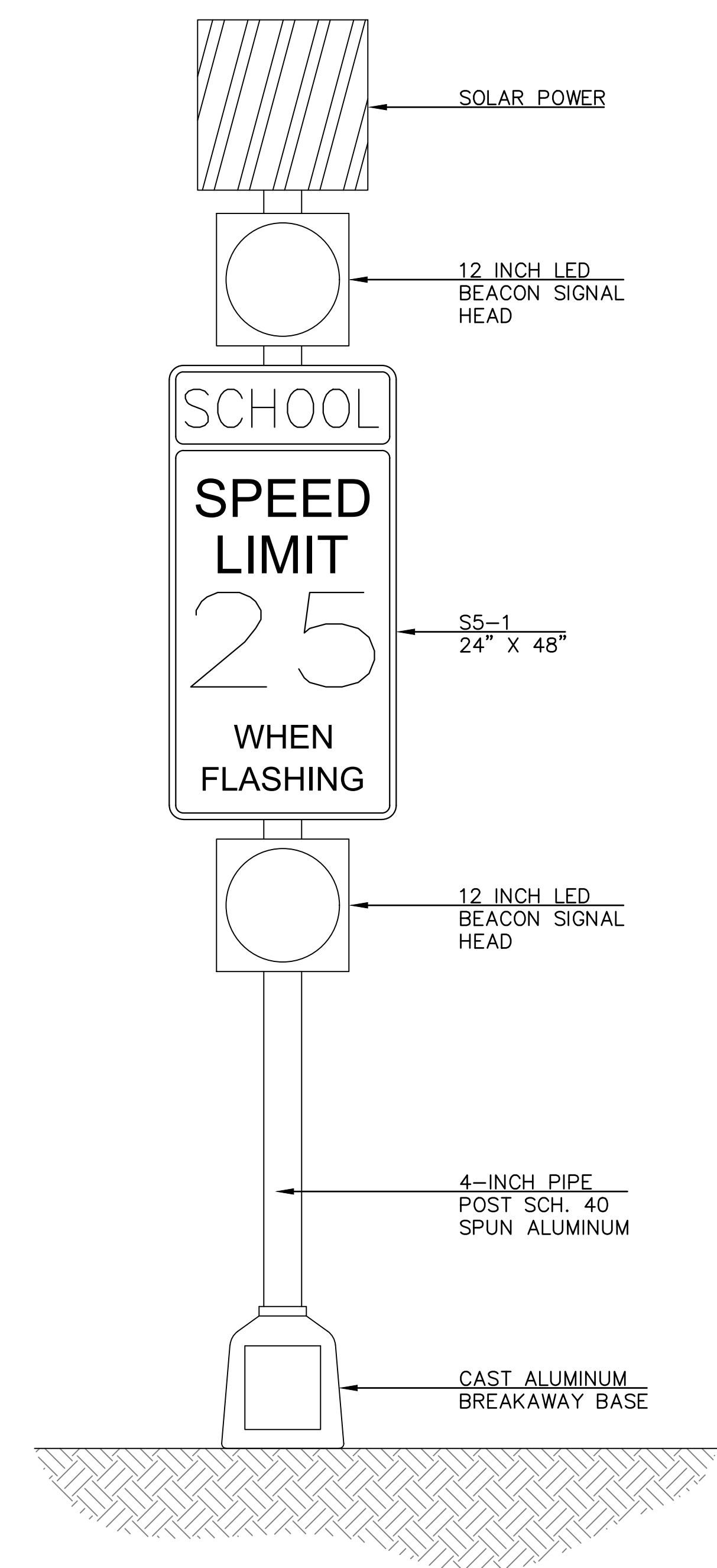
4 TYPICAL SIDEWALK SECTION Scale: NTS



5 TYPICAL CONCRETE DRIVEWAY SECTION Scale: NTS

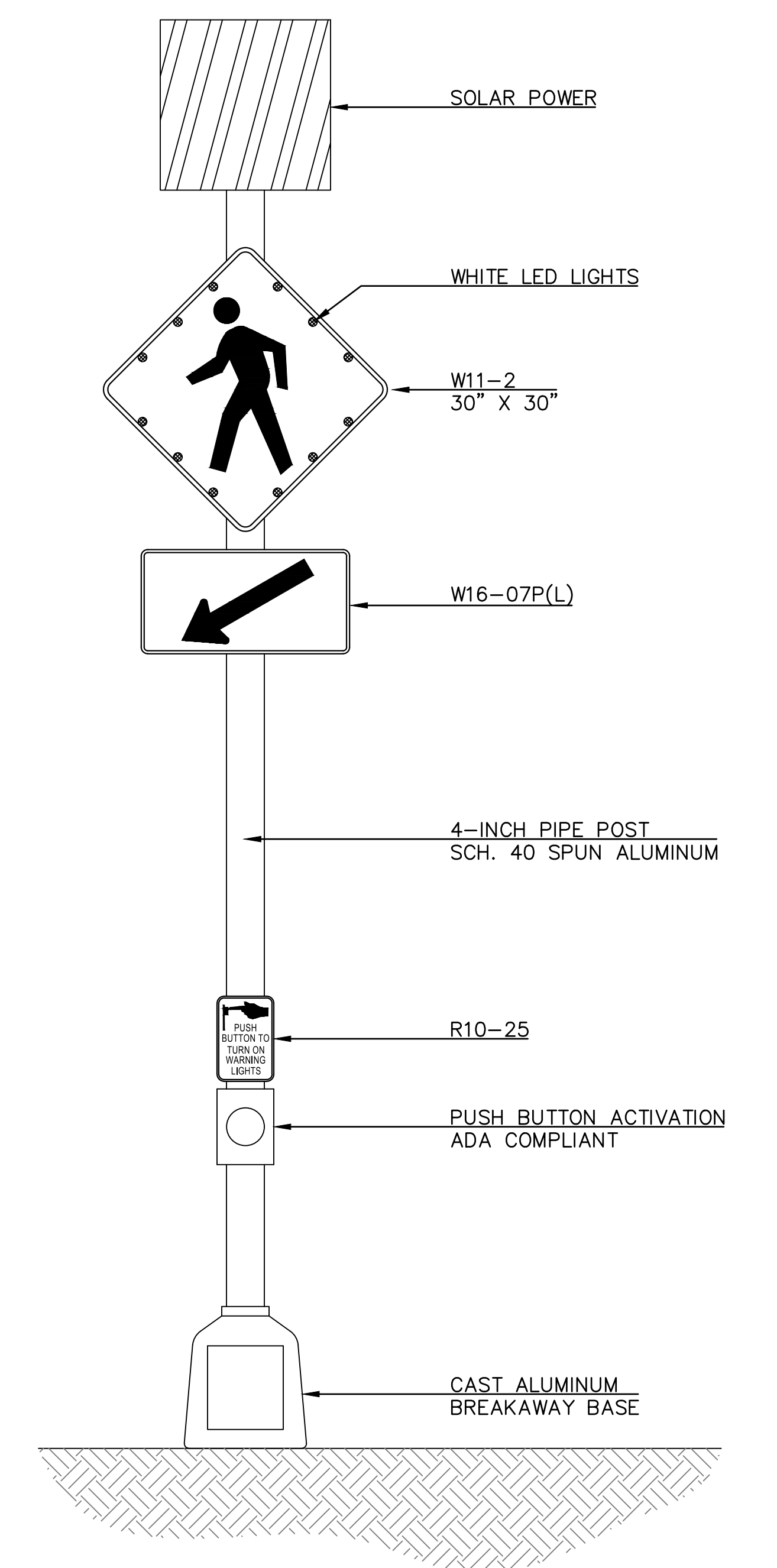


6 TYPICAL ASPHALT DRIVEWAY SECTION Scale: NTS



NOTE: ASSEMBLY SHALL BE MUTCD SECTION 2A.08 COMPLIANT REFERENCE 2009 STANDARD DRAWING RWSF1-1-01 AND CURRENT MUTCD EDITION

7 FLASHING SCHOOL ZONE SIGN Scale: NTS



NOTE: ASSEMBLY SHALL BE MUTCD SECTION 2A.08 COMPLIANT

8 FLASHING PEDESTRIAN CROSSING SIGN Scale: NTS

DESIGN	LKN	7/7/17
DRAWN	TJW	7/7/17
CHECKED	SKF	7/7/17
APPROV.	SKF	7/7/17
SQUAD	CGE	

GRADY COUNTY
TYPICAL SECTIONS AND DETAILS
 JOB PIECE NO. 33001(04) SHEET NO. 4

PLOTTED: Friday, July 07, 2017 @ 03:05PM
 G:\Projects\16-508 Tuttle - TAB Sections 2018\04-16-18-508 QUANTITIES AND NOTES.dwg